

**INSTALLATION
INSTRUCTIONS
FOR DK 6010H-EU / DK 6010C-EU
DK 6010CH-EU
HEIGHT ADJUSTMENT HITCH ASS'Y KIT**

- 1. PACKING LIST & ACTUAL IMAGE**
- 2. GENERAL SAFETY INFORMATION**
- 3. INSTALLATION INSTRUCTION**

D.D KIT#. TD26-A0001B



KIOTI TRACTOR DIVISION / DAEDONG-USA, Inc.
6300 Kioti Dr. Wendell, NC 27591
Toll Free: **1877-GO-KIOTI**
Tel: 1-919-374-5100 Fax: 1-919-374-5001
<http://www.kioti.com>

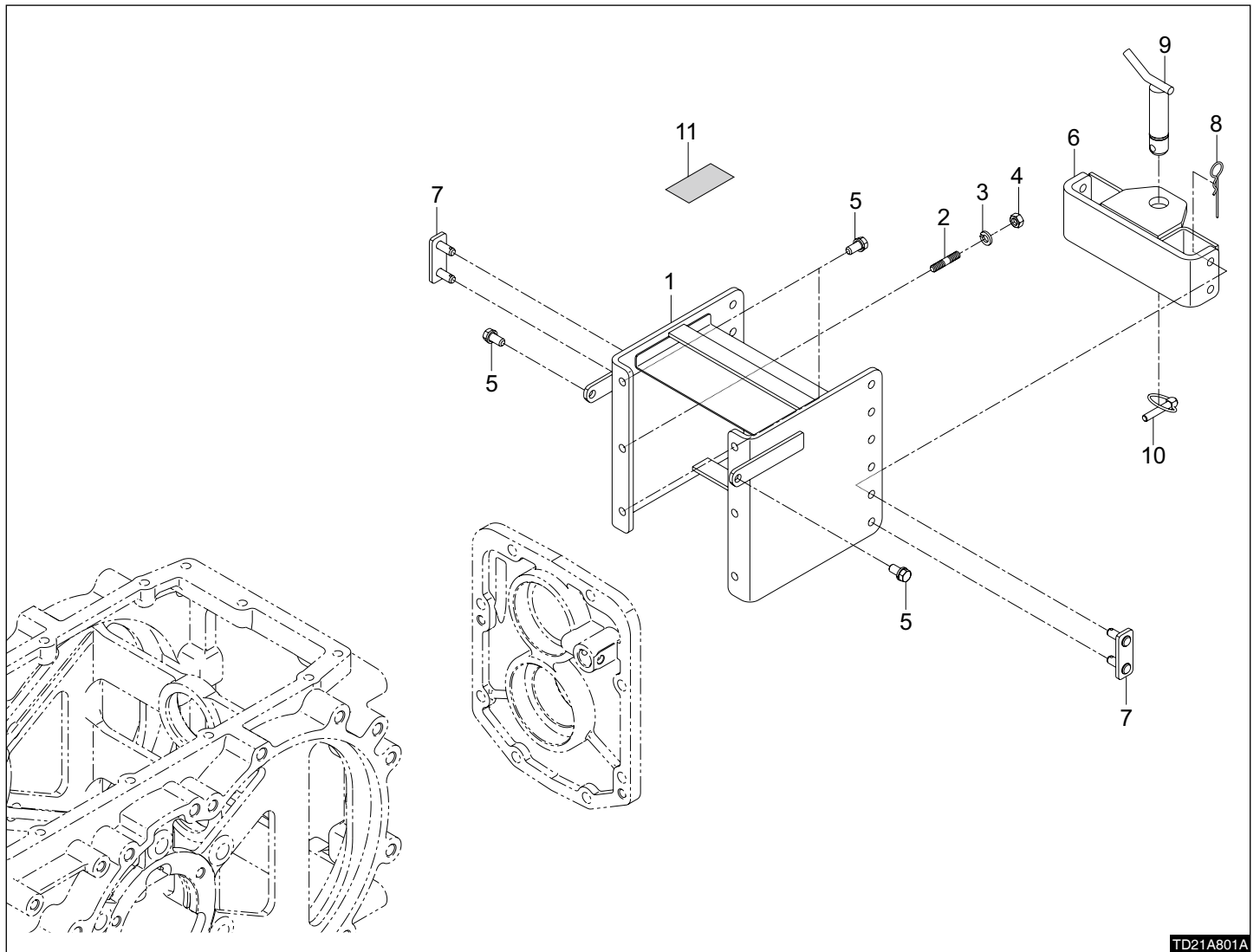
DAEDONG KIOTI EUROPE B.V
Koerilenstraat 2, 3199LR, Maasvlakte-Rotterdam The Netherlands
Tel: +31 (0)181 35 30 25
<http://www.kioti.eu>



SERVICE SUPPORT DIVISION / DAEDONG INDUSTRIAL Co., Ltd.
35, Nongongjungang-ro 34-gil Nongong-eup, Dalseong-gun, Daegu, KOREA 42984
Tel: 82-53-610-3350 Fax: 82-53-610-3359
<http://www.daedong.co.kr>

1. PACKING LIST & ACTUAL IMAGE

NO.	Part No.	Description	Q'TY	Remark
1	T5718-55012	ASS`Y, BRACKET	1	
2	01574-51235	STUD BOLT	2	
3	04512-50120	SPRING WASHER	2	
4	02176-50120	NUT	2	
5	01133-51225	WASHER WITH BOLT	6	
6	T5718-55032	ASS`Y, HEIGHT ADJUSTMENT HITCH	1	
7	T5718-55052	ADJUSTMENT PIN, HITCH	2	
8	T5718-55071	PIN, SNAP	2	
9	T4682-78252	ASS`Y, HITCH PIN	1	
10	34150-3764-4	PIN, CLIP	1	
11	TD26-0746A	LABEL, HITCH CERTIFICATE - EU	1	



TD21A801A

2. GENERAL SAFETY INFORMATION



This symbol means ATTENTION! YOUR SAFETY IS INVOLVED.
The message that follows the symbol contains important information about safety. Carefully read the message.

BEFORE SERVICING AND REPAIRING

1. Read all safety instruction in this manual and be aware of safety decal locations on your machine.
2. Thoroughly clean your work area and the machine.
3. Make sure the machine is on firm and level ground and that the parking brake is set.
4. Lower the implement to the ground.
5. Stop the engine and remove the key.
6. Disconnect the negative battery cable.
7. Place a "DO NOT OPERATE" tag in the operator station.

WORKING SAFETY

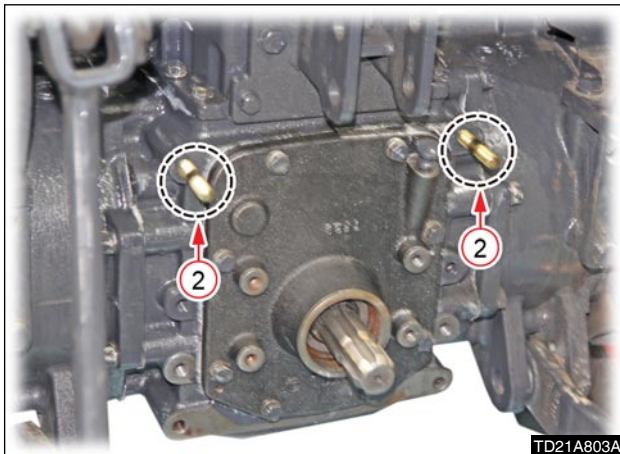
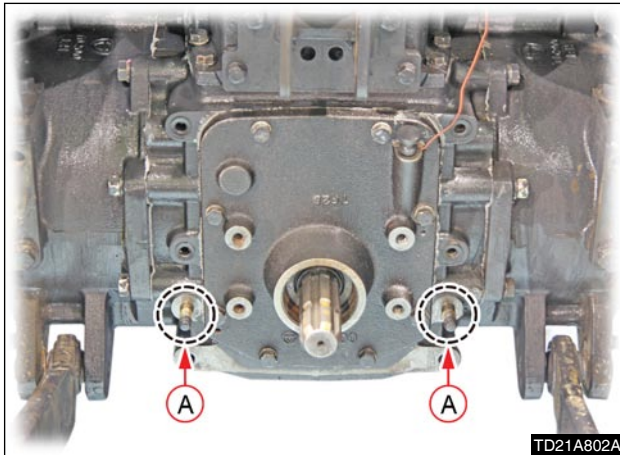
1. Do not operate or service the machine while under the influence of alcohol, medications, or other substances.
2. Never wear loose fitting clothing and always use safety equipment appropriate to the job.
3. Never use improvised tools, parts or procedures. Use only recommended tools appropriate to the work.
4. Extra care should be taken to work safely when servicing is done by two or more persons.
5. Always support the machine with safety stands rated for the weight of the machine. Never work under a machine that is supported solely with a jack.
6. Do not touch any rotating or hot parts while the engine is running.
7. Escaping fluid (hydraulic oil) under pressure can penetrate the skin causing serious injury. Relieve pressure before disconnecting hydraulic or fuel lines. Tighten all connections before applying pressure.

DISPOSE OF FLUIDS PROPERLY

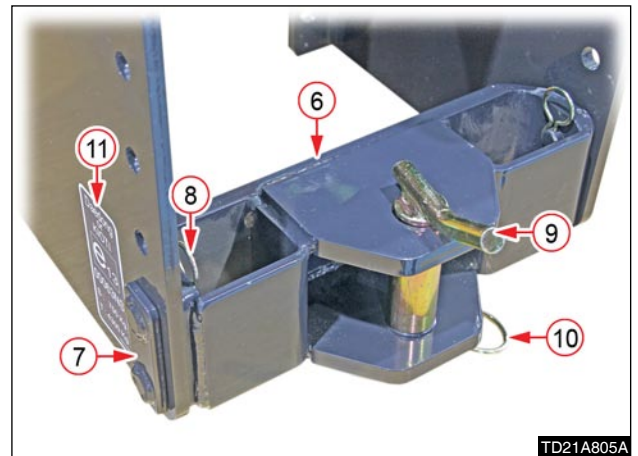
1. Observe relevant environmental protection regulations when disposing of oil. NEVER pour fluids onto the ground, down a drain, or into any body of water.

3. INSTALLATION INSTRUCTION

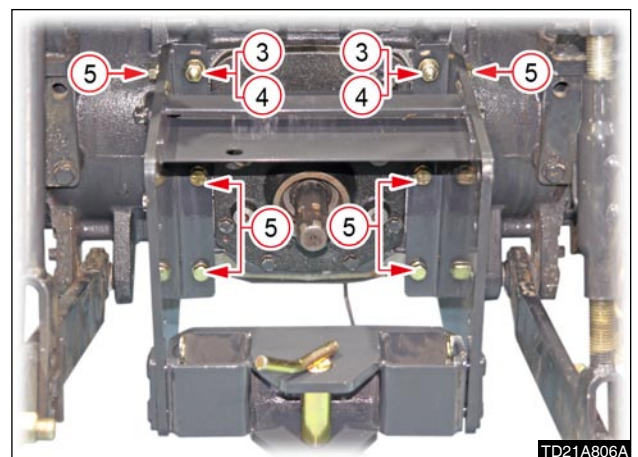
1. Park the vehicle on firm and level ground. Then, engage the parking brake and stop the engine.



2. Unscrew the original stud bolt (A) and tighten the kit stud bolt (2).



3. After inserting the height adjustment hitch ass'y (6) to the hole of the height adjustment hitch bracket ass'y (1), secure it with the hitch adjustment pin (7), snap pin (8) and attach the hitch certificate label. Install the hitch pin ass'y (9) to the height adjustment hitch bracket and secure it with the clip pin (10).



4. Insert the height adjustment hitch bracket ass'y (it assembled in Step 3) to the stud bolt of the transmission case and tighten the spring washers (3), nuts (4) and washer bolts (5).